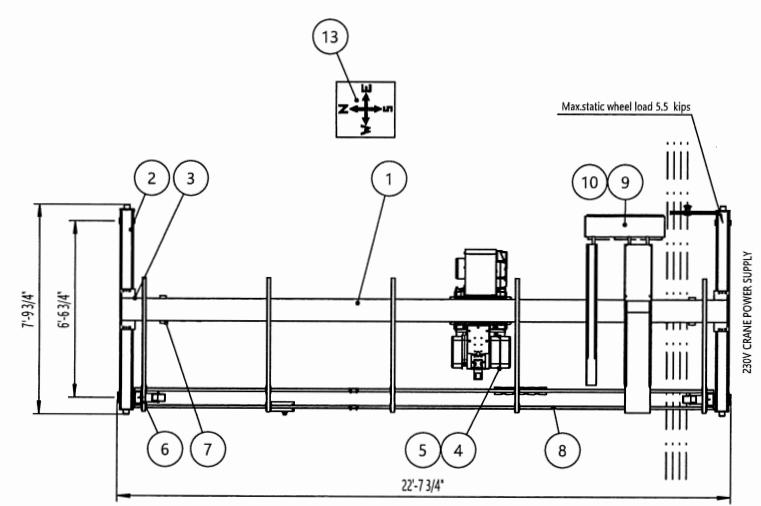
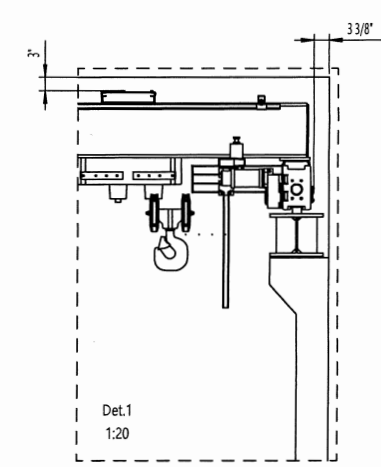
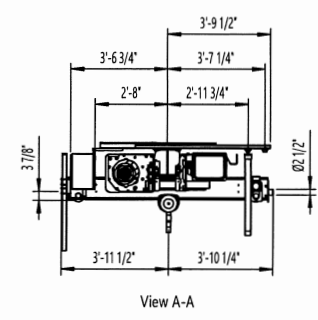
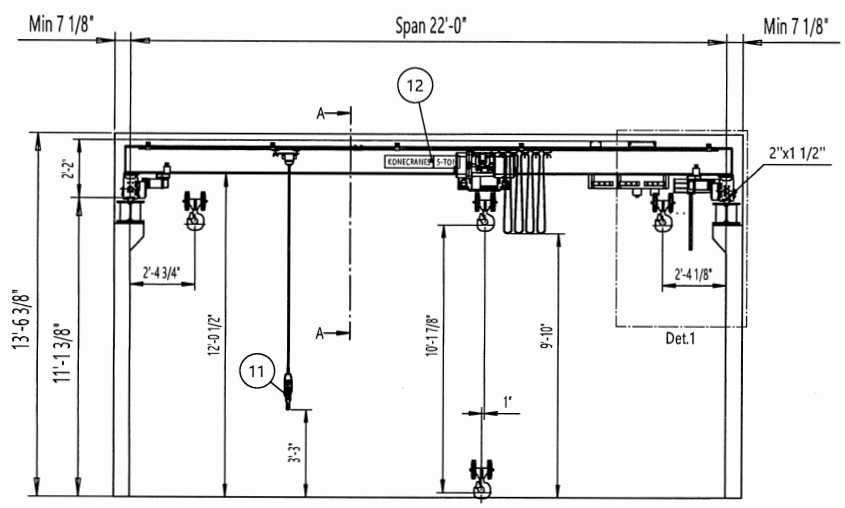


US71061322-AS

REV	CHANGE DESCRIPTION	ECN	DATE	REVISED BY	APPROVED BY
-----	--------------------	-----	------	------------	-------------



**SURFACE TREATMENT OF CRANE**  
 Bridge color : RAL1028  
 Paint : ENA/127 µm  
 Access to crane and certain maintenance items is via man lift  
 Indoor Use crane  
 Pendant controlled crane: movable

**TECHNICAL DATA**

SPAN	: 22'-0"
CRANE CAPACITY	: 5-TON
LIFTING HEIGHT	: 10'-1 7/8"
HOISTING SPEED	: 20.0/3.2 ft/min 2-speed
TRAVERSING SPEED	: 65 ft/min stepless
TRAVELLING SPEED	: 100 ft/min Stepless
WEIGHT OF TROLLEY	: 820 lbs
WEIGHT OF BRIDGE	: 2301 lbs
CRANE CLASSIFICATION	: CMAA Class C
HOIST GROUP	: 150 MS
CRANE DRIVE GROUP	: 150 MS
MAIN VOLTAGE	: 230 V-3PH-60 Hz
CONTROL VOLTAGE	: 115 V-1PH-60 Hz
SUPPLY POWER	: 8.62 Hp

**CERTIFIED FOR CONSTRUCTION**  
**OCTOBER 11, 2022**

QTY	POS	DESCRIPTION	SPECIFICATION	ITEM ID	DRAWING
1	13	DIRECTIONS LABEL	COMPASS 4		
2	12	SUPPLIER LABEL			
1	11	PENDANT	PKQ062220C00-N029PE300		
1	10	CRANE DRIVE CONTROL	DYNA800004E100		
1	9	ELECTRICS PANEL	CRANELP3-1NM400-53J0		
1	8	HOIST SUPPLY	QQ5MS12L3BP353067-		
2	7	END STOP	MCF-B107-1		
2	6	CRANE DRIVE	GES332PS4B0F06MA200-6460E		
1	5	HOIST DRIVE CONTROL	DYNA800004E100		
1	4	HOIST	CT40410050P3		
2	3	JOINT PLATE	P-TOP_A_-STD-S		
2	2	END CARRIAGE	ECN11-2067-A40000A0000-N		
1	1	MAIN GIRDER	US71061322-B1		

APPROVED	DATE	DEPARTMENT	FOLDER	SIZE
CHECKED	DATE	(Ohio Valley Cranes)	DAS MM / POV/FAC	AZ
DESIGN	DATE	CXTSke5-TON x 22ft Hol:10.16ft		SCALE
TLA/POV	10/11	A-G Tool & Die Company		1 : 40
<b>KONECRANES</b>		Miamitown, OH	ITEM ID	Inch
		US71061322-AS	DRAWING ID	REV
				1

157595755

This document is the sole property of Konecranes, Inc. This document must be kept confidential without the written permission of Konecranes, Inc. or its parent company Konecranes. No part of this document may be reproduced or transmitted in any form or by any means, electronic, mechanical, photocopying, recording, or by any information storage and retrieval system, without the prior written permission of Konecranes, Inc.